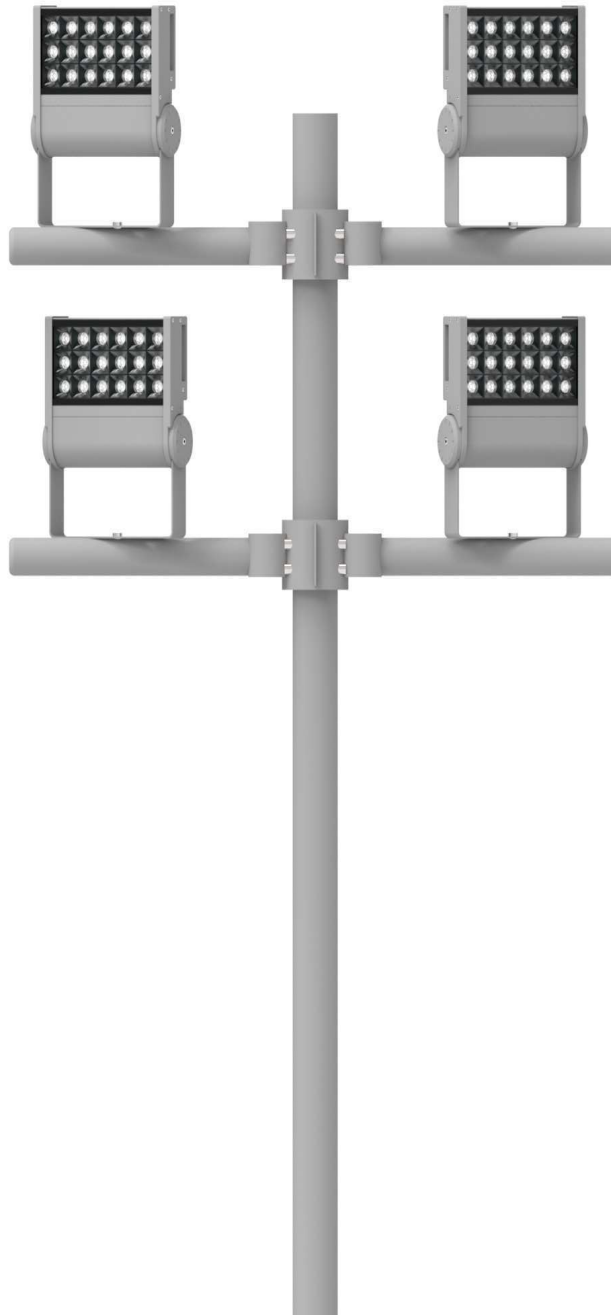
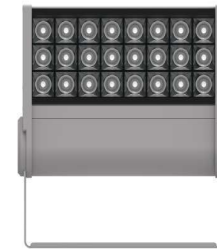


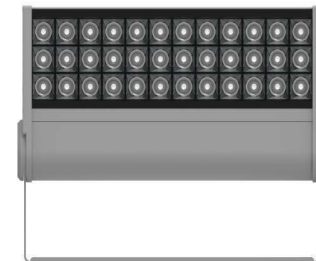
Grand



GR101



GR201



GR301

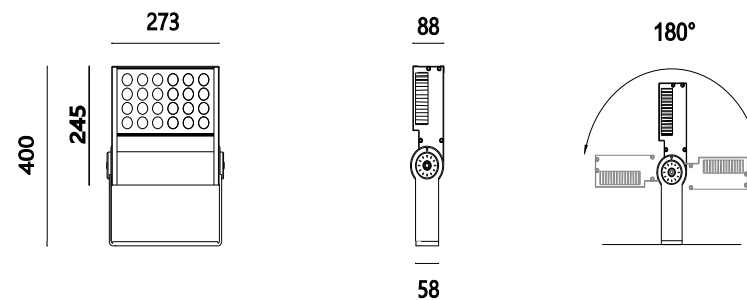


Grand is a powerful architectural floodlight and landscape luminaire offering superior binning and a full range of optical solutions. Boost floodlight is an outdoor-rated fixture with a robust aluminum housing and alternative RAL color painting on request. The fixture also has great flexibility with 190-degree vertical aiming and 358-degree horizontal rotation, making it ideal for any application.



GR101

DIMENSION



SPECIFICATION

Model	GR101-24	GR101-36
Power	24W	36W
LED Quantity	18 nos.	18 nos.
Delivered Lumens	1920lm@3000K	2880lm@3000K
Color Temperature	2200K 2700K 3000K 4000K 4500K 5000K 6000K RGB RGBW	
Beam Angle	5° 15° 24° 38° 50° 40° 60° 35° 70° 80° 80° Asymmetric	
Voltage	AC 220V Integrated driver	
Control	PWM Phase 1-10V Dali DMX DMX+RDM	
Housing Material	Aluminum housing, tempered glass, SS304 bracket	
Dimension	L273*W88*H400 mm	
Finishes	Black White Grey Customized	
Ingress Protection	IP66	
Mechanical Impact	IK05	
Insulation Class	Class I	
Working Temperature	-35°C to 50°C	

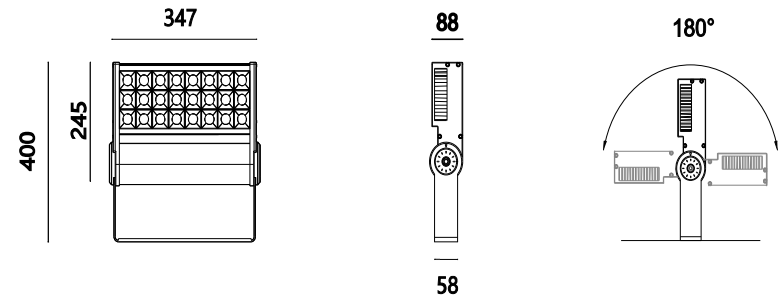
ACCESSORIES



Anti-glare Shield

GR201

DIMENSION



SPECIFICATION

Model	GR201-48	GR201-60
Power	48W	60W
LED Quantity	24 nos.	24 nos.
Delivered Lumens	3600lm@3000K	4500lm@3000K
Color Temperature	2200K 2700K 3000K 4000K 4500K 5000K 6000K RGB RGBW	
Beam Angle	5° 15° 24° 38° 50° 40°*40° 60°*60° 35°*70° 80°*80° Asymmetric	
Voltage	AC 220V Integrated driver	
Control	PWM Phase 1-10V Dali DMX DMX+RDM	
Housing Material	Aluminum housing, tempered glass, SS304 bracket	
Dimension	L347*W88*H400 mm	
Finishes	Black White Grey Customized	
Ingress Protection	IP66	
Mechanical Impact	IK05	
Insulation Class	Class I	
Working Temperature	-35°C to 50°C	

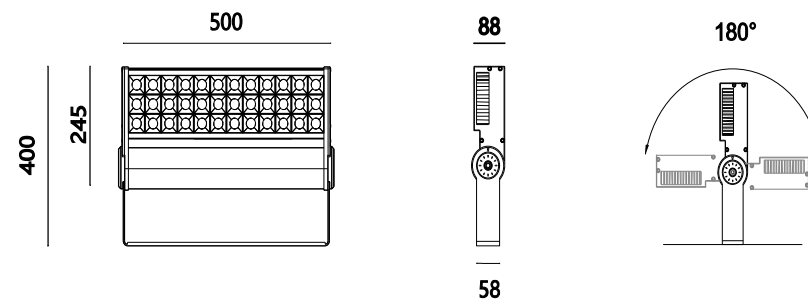
ACCESSORIES



Anti-glare Shield

GR301

DIMENSION



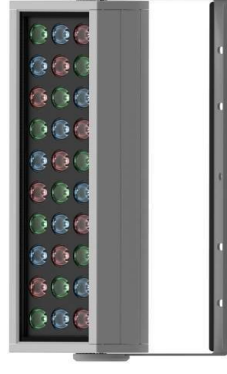
SPECIFICATION

Model	GR301-72	GR301-90
Power	72W	90W
LED Quantity	36 nos.	36 nos.
Delivered Lumens	5760lm@3000K	6750lm@3000K
Color Temperature	2200K 2700K 3000K 4000K 4500K 5000K 6000K RGB RGBW	
Beam Angle	5° 15° 24° 38° 50° 40°*60° 35°*70° 80°*80° Asymmetric	
Voltage	AC 220V Integrated driver	
Control	PWM Phase 1-10V Dali DMX DMX+RDM	
Housing Material	Aluminum housing, tempered glass, SS304 bracket	
Dimension	L500*W88*H400 mm	
Finishes	Black White Grey Customized	
Ingress Protection	IP66	
Mechanical Impact	IK05	
Insulation Class	Class I	
Working Temperature	-35°C to 50°C	

ACCESSORIES



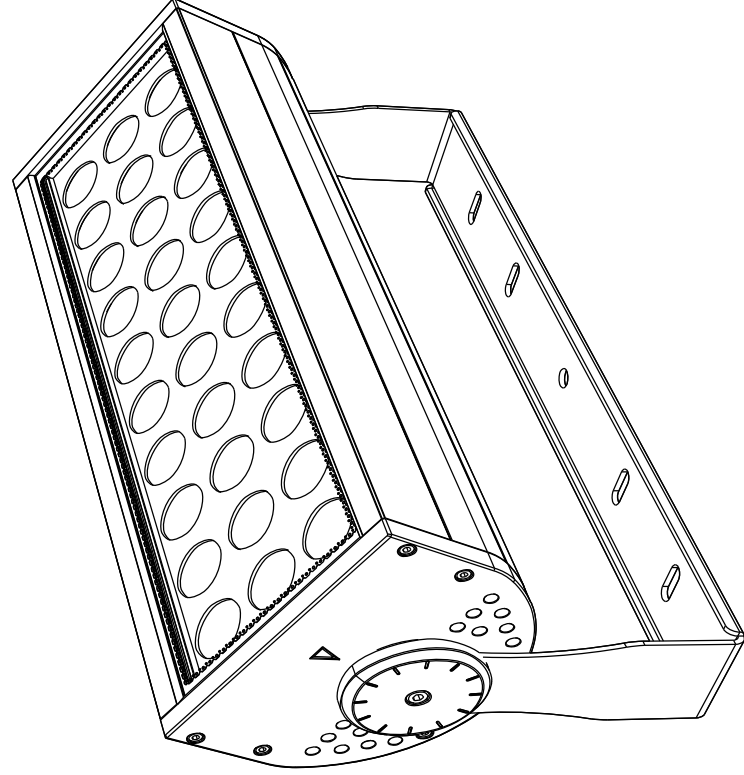
Anti-glare Shield



FL160-100



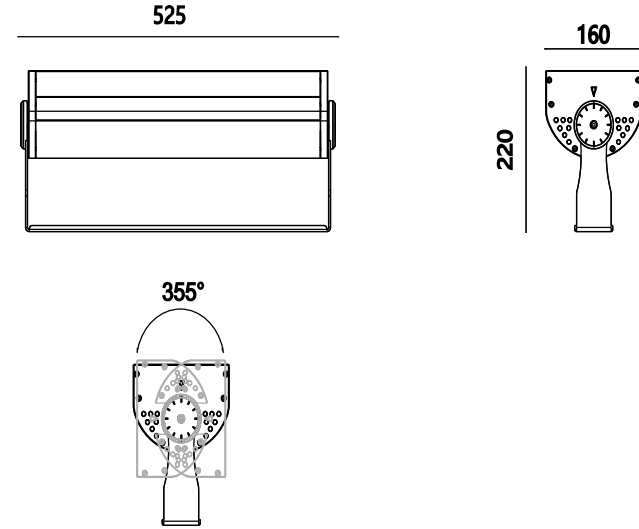
FL160-200



Flood is a high-performance LED floodlight, perfect for all colour changing architectural spot and flood lighting applications in both exterior and interior spaces. Its extremely compact construction, combined with the comprehensive variety of optics groups, enable this IP66 rated LED light to meet the most demanding architectural requirements.

FL160-100

DIMENSION



SPECIFICATION

Model	FL100-100
Power	100W
LED Quantity	30 nos.
Delivered Lumens	8200lm@3000K
Color Temperature	2200K 2700K 3000K 4000K 4500K 5000K 6000K RGB RGBW
Beam Angle	5° 12° 24° 38° 50° 50°*50° 70°*70° 35°*70° 90°*90°
Voltage	AC 220V Integrated driver
Control Protocol	PWM Phase 1-10V Dali DMX DMX+RDM
Dimension	L525*W160*H220 mm
Housing Material	Aluminum housing, tempered glass, SS304 bracket
Finishes	Black RAL9011 White RAL9003 or RAL9010 Grey RAL9006 Customized
Ingress Protection	IP66
Mechanical Impact	IK05
Insulation Class	Class I
Working Temperature	-35°C to 50°C

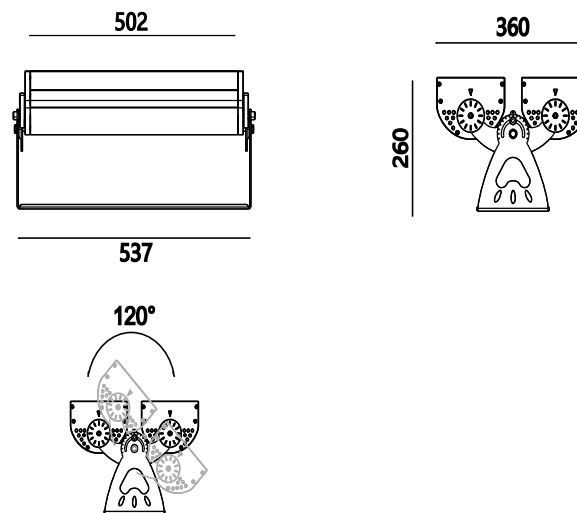
ACCESSORIES



Anti-glare Shield

FL160-200

DIMENSION



SPECIFICATION

Model	FL160-200
Power	200W
LED Quantity	60 nos.
Delivered Lumens	2*8200lm@3000K
Color Temperature	2200K 2700K 3000K 4000K 4500K 5000K 6000K RGB RGBW
Beam Angle	5° 12° 24° 38° 50° 50°*50° 70°*70° 35°*70° 90°*90°
Voltage	AC 220V Integrated driver
Control Protocol	PWM Phase 1-10V Dali DMX DMX+RDM
Dimension	L537*W360*H260 mm
Housing Material	Aluminum housing, tempered glass, SS304 bracket
Finishes	Black RAL9011 White RAL9003 or RAL9010 Grey RAL9006 Customized
Ingress Protection	IP66
Mechanical Impact	IK05
Insulation Class	Class I
Working Temperature	-35°C to 50°C

ACCESSORIES



Anti-glare Shield